

## RBH-LA可調式雙刃粗搪孔刀系列《搪孔範圍Ø25 - Ø204mm》

Indexable Twin-bit Rough Boring Head RBH-LA 《Boring Range from Ø25 - Ø204mm》

### FEATURES

1. Thickened cartridge with higher rigidity.
2. Coolant nozzle easily cools the insert elongating its working life.
3. The design of chip pocket, improving chip flow of deep boring.
4. Clamp plate solidifies cartridges and head, upgrading cutting rigidity.
5. Patented step boring design; suitable for both level boring and step boring.
6. RBH120LA and RBH160LA are replaceable insert holders.

### 特性說明

1. 刀片支持座厚度增加，剛性增強。
2. 內藏式水孔，直接冷卻，刀片壽命長。
3. 排屑槽設計，增加深孔排屑功能。
4. 連接壓板使刀頭與刀座一體，增加切削剛性。
5. 獨特高低段差設計，平刃或高低刃均可採用。
6. RBH120LA與RBH160LA為可更換式刀片座。

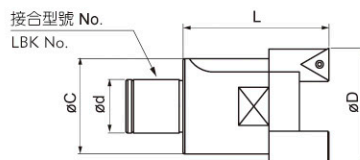


Fig.1

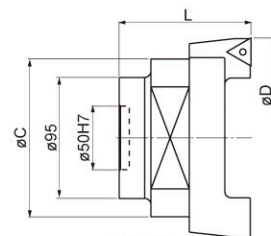
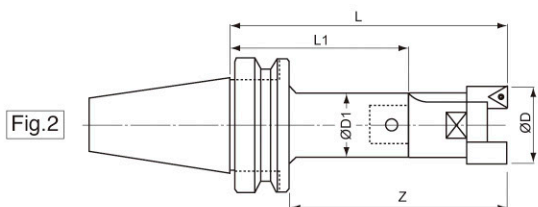
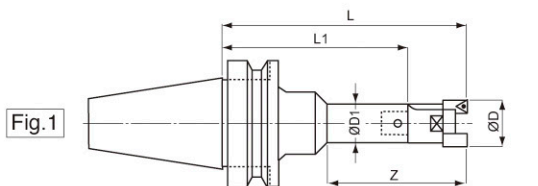


Fig.2

### 規格 Specifications:

樣式 Fig	搪頭型號 Boring Head Type	接合型號 LBK No.	搪孔範圍 øD(mm) Boring Range	L (mm)	øC (mm)	ød (mm)	刀片規格 Insert	重量 (kg) Weight
1	RBH25LA-C	LBK2	25~35	50	24	14	CCMT060204	0.15
	RBH32LA-C						CCMT060204	
	RBH32LA-T	LBK3	32~45	60	31	18	TCMT110204	0.3
	RBH40LA-C						CCMT09T304	
	RBH40LA-T	LBK4	40~55	74	39	22	TCMT16T304	0.6
	RBH40LA-S						SCMT09T304	
	RBH52LA-C	LBK5	52~75	80	50	28	CCMT09T304	1
	RBH52LA-T						TCMT16T304	
	RBH52LA-S						SCMT09T304	
	RBH68LA-C						CCMT120408	
	RBH68LA-T	LBK6	68~100	90	66	36	TCMT16T304	2.5
	RBH68LA-S						SCMT120404	
	RBH90LA-C						CCMT120408	
	RBH90LA-T	90~130	100	88	36	36	TCMT16T304	3.1
RBH90LA-S	SCMT120404							
2	RBH120LA-C	BST Series	120~164	95	100	50	CCMT120408	4.3
	RBH120LA-T						TCMT220408	
	RBH120LA-S						SCMT120404	
	RBH160LA-C		160~204	130	50	50	CCMT120408	5.3
	RBH160LA-T						TCMT220408	
	RBH160LA-S						SCMT120404	

## RBH-LA雙刃粗搪刀+LBK刀柄 (MAS 403BT) RBH-LA Indexable Twin-bit Rough Boring Head+LBK Shank (MAS 403BT)



# RBH-LA + LBK RBH-LA雙刃粗搪孔刀組合系列



## 規格 Specifications:

組合規格 Tools Connection		樣式 Fig.	搪孔範圍 Boring Ranges $\phi D$ (mm)	有效長 Z (mm)	總長 Length L (mm)	刀桿長 L1 (mm)	刀桿外徑 $\phi D1$ (mm)	重量 (kg) Weight	
搪頭型號 Type	刀桿 LBK Shank								
RBH25LA	BT30-LBK2-80	2	25-35	100	130	80	24	0.8	
RBH32LA	BT30-LBK3-80		32-45	110	140		31	1.0	
RBH40LA	BT30-LBK4-70		40-55				39	1.4	
RBH52LA	BT30-LBK5-60		52-75	120	150	60	50	1.8	
RBH68LA	BT30-LBK6-60		68-100				64	3.5	
RBH90LA			90-130				64	4.1	
RBH25LA	BT40-LBK2-85		2	25-35	100	135	85	24	1.3
	BT40-LBK2-100	115			150	100			1.4
	BT40-LBK2-115	130			165	115			1.6
RBH32LA	BT40-LBK3-95	32-45		120	155	95	31	1.5	
	BT40-LBK3-125			150	185	125		1.8	
	BT40-LBK3-155			180	215	155		2.0	
RBH40LA	BT40-LBK4-85	40-55		120	155	85	39	1.9	
	BT40-LBK4-130		165	200	130	2.5			
	BT40-LBK4-175		210	245	175	2.8			
RBH52LA	BT40-LBK5-75	52-75	120	155	75	50	2.3		
	BT40-LBK5-125		170	205	125		3.3		
	BT40-LBK5-175		220	255	175		4.0		
RBH68LA	BT40-LBK6-65	68-100	120	155	65	64	3.8		
	BT40-LBK6-115		170	205	115		5.2		
	BT40-LBK6-165		220	255	165		6.4		
RBH90LA	BT40-LBK6-65	90-130	130	165	65	64	4.4		
	BT40-LBK6-115		180	215	115		5.8		
	BT40-LBK6-165		230	265	165		7.0		
RBH120LA	BT40-BST-70	120-164	130	165	70	95	7.0		
RBH160LA		160-204	130	165	70	95	8.0		
RBH25LA	BT50-LBK2-125	2	25-35	110	175	125	39/24	4.1	
	BT50-LBK2-155			140	205	155		4.2	
RBH32LA	BT50-LBK3-125		32-45	135	185	125	31	4.4	
	BT50-LBK3-155			165	215	155		4.5	
RBH40LA	BT50-LBK4-115		40-55	135	185	115	39	4.9	
	BT50-LBK4-145			165	215	145		5.0	
	BT50-LBK4-175			195	245	175		5.4	
	BT50-LBK4-205	225		275	205	5.5			
RBH52LA	BT50-LBK5-105	52-75	135	185	105	50	5.5		
	BT50-LBK5-180		210	260	180		6.5		
	BT50-LBK5-240		270	320	240		7.2		
	BT50-LBK5-300	1	< $\phi 64=270$ > $\phi 64=330$	380	300	64/50	8.6		
RBH68LA	BT50-LBK6-95	2	68-100	135	185	95	64	7.0	
	BT50-LBK6-170			210	260	170		8.8	
	BT50-LBK6-230			270	320	230		10.1	
	BT50-LBK6-290			330	380	290		11.5	
	BT50-LBK6-350	1	390	440	350	90/64	16.0		
RBH90LA	BT50-LBK6-95	2	90-130	145	195	95	64	7.6	
	BT50-LBK6-170			220	270	170		9.4	
	BT50-LBK6-230			280	330	230		10.7	
	BT50-LBK6-290			340	390	290		12.1	
	BT50-LBK6-350	1	400	450	350	90/64	16.6		
RBH120LA	BT50-BST-100	2	120-164	150	195	100	95	8.9	
	BT50-BST-150			200	245	150		10.6	
	BT50-BST-200			250	295	200		13.3	
	BT50-BST-250			300	345	250		15.3	
	BT50-BST-300			350	395	300		18.7	
	BT50-BST-350			400	445	350		21.1	
	BT50-BST-400			450	495	400		23.6	
RBH160LA	BT50-BST-100	2	160-204	150	195	100	95	9.9	
	BT50-BST-150			200	245	150		11.6	
	BT50-BST-200			250	295	200		14.3	
	BT50-BST-250			300	345	250		16.3	
	BT50-BST-300			350	395	300		19.7	
	BT50-BST-350			400	445	350		22.1	
	BT50-BST-400			450	495	400		24.6	

## Ø200以上RBH-LA組合式大徑粗搪孔刀系列 《搪孔範圍 Ø200 - Ø2000mm》

RBH-LA Large Diameter Modular Rough Boring Head with Diameter over Ø200mm 《Boring Range from Ø200 - Ø2000mm》

### 特性說明

1. 通用Ø200~Ø2000mm大型孔徑加工使用。
2. 粗、精搪刀使用同基礎組件，且可另選配附件搭配使用。加工調整範圍為直徑110mm。600LA與900LA調整範圍為Ø300mm，1200LA以上為Ø400mm。
3. 粗搪刀，具有多種刀片選擇，可通用於多種材質及加工方式。
4. 可依客戶需求訂製2M以上規格。



### FEATURES

1. This type is suitable for large diameter boring with ranges from Ø200 mm to Ø2000 mm.
2. The structure includes common flange and extension slide for both rough and fine boring heads. Available can be optional accessories for different works. Adjustment range is within 110mm on diameter. The adjustment range for both 600LA and 900LA is Ø300mm, and 1200LA above are Ø400mm.
3. Options of various inserts for rough boring of different materials and boring styles.
4. Boring head can be ordered according to client's requirements above 2M specification.

### 規格 Specifications:

搪頭型號 Boring Head Type	型號 Type	RBH 200LA	RBH 300LA	RBH 400LA	RBH 500LA	RBH 600LA	RBH 900LA	RBH 1200LA	RBH 1600LA
	長度 Length (mm)	130	130	130	130	150	150	180	180
	整組重量 Total Weight (kg)	9.5	11.5	13.5	15.5	23	31.7	46.6	52
	加工直徑 Boring Diameter ØD (mm)	200-310	300-410	400-510	500-610	600-900	900-1200	1200-1600	1600-2000
組合式 Module	接合刀桿 Taper Shank	BT50-BST / NT50-BST系列 BT50-BST / NT50-BST Series				BT50-FMA-47.625			
	連接盤 Flange	BR200				BR600	BR900	BR1200	BR1600
	重量 (kg) Weight	合金鋼 Alloy Steel 2.7				鋁合金 Alum. Alloy 8.8 13.5 24.4 29.6			
	橫向滑板(合金鋼) Extension Slide( Alloy Steel)	RST200	RST300	RST400	RST500	RST300x 2只(pieces)	RST400x 2只(pieces)	RST500 x 2只(pieces)	
	重量 Weight (kg)	3.4	5.4	7.4	9.4	10.8	14.8	18.8	
	滑塊 Clamp Base	RS200							
	鋁合金重量 (kg) Alum. Alloy Weight	0.98 kg							
	刀片座墊片 Height Setting Shim	RS201							
	重量 (kg) Weight	0.05 kg							
	刀片座 Insert Holder	RB200C12		RB200T16		RB200T22		RB200S12	
適合刀片 Applicable Insert	CCMT120404		TCMT16T304		TCMT220404		SCMT120404		
重量 (kg) Weight	0.68 kg								

※此搪頭型號不含刀桿。 ※Arbor is not included.

# RBH-LA + BST Ø200以上RBH-LA組合式大徑雙刃粗搪孔刀組合系列

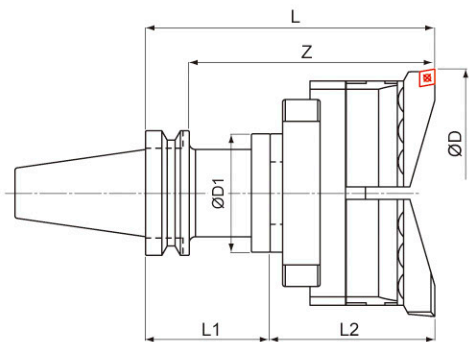


## Ø200以上RBH-LA組合式大徑雙刃粗搪孔刀+BST刀柄 (MAS 403 BT)

RBH-LA Indexable Twin-bit Rough Boring Head for Large Hole Boring+BST Shank (MAS 403 BT)

《搪孔範圍 Ø200 - Ø2000mm》《Boring Range from Ø200 - Ø2000mm》

	搪頭型號 Boring Head Type	接合型號 BST No.	搪孔範圍 ØD (mm) Boring Range	搪頭長度 L2 (mm)	刀片規格 Insert	重量 (kg) Weight
	RBH200LA	BST Series	200~310	130	(選配刀片座) Optional Inserts CCMT120408 TCMT16T304 TCMT220408 SCMT120404	9.5
	RBH300LA		300~410			11.5
	RBH400LA		400~510			13.5
	RBH500LA		500~610			15.5
	RBH600LA	FMA-47.625	600~900	150		23.0
	RBH900LA		900~1200	31.7		
	RBH1200LA		1200~1600	46.6		
	RBH1600LA		1600~2000	52.0		



Boring diameter  
**Ø200~2000**  
mm



### 規格 Specifications:

組合規格 Tools Connection		搪孔範圍 Boring Ranges øD (mm)	有效長 Z (mm)	總長 Length L (mm)	刀桿長 L1 (mm)	刀桿外徑 ØD1 (mm)	重量 (kg) Weight
搪頭型號 Type	刀桿 LBK Shank						
RBH200LA	BT50-BST-100	200-310	185	230	100	95	14.6
	BT50-BST-150		235	280	150		16.3
	BT50-BST-200		285	330	200		19.0
	BT50-BST-250		335	380	250		21.0
	BT50-BST-300		385	430	300		23.9
	BT50-BST-350		435	480	350		26.3
	BT50-BST-400		485	530	400		28.8
RBH300LA	BT50-BST-100	300-410	185	230	100		16.6
	BT50-BST-150		235	280	150		18.3
	BT50-BST-200		285	330	200		21.0
	BT50-BST-250		335	380	250		23.0
	BT50-BST-300		385	430	300		25.9
	BT50-BST-350		435	480	350		28.3
	BT50-BST-400		485	530	400	30.8	
RBH400LA	BT50-BST-100	400-510	185	230	100	18.6	
	BT50-BST-150		235	280	150	20.3	
	BT50-BST-200		285	330	200	23.0	
	BT50-BST-250		335	380	250	25.0	
	BT50-BST-300		385	430	300	27.9	
	BT50-BST-350		435	480	350	30.3	
	BT50-BST-400		485	530	400	32.8	
RBH500LA	BT50-BST-100	500-610	185	230	100	20.6	
	BT50-BST-150		235	280	150	22.3	
	BT50-BST-200		285	330	200	25.0	
	BT50-BST-250		335	380	250	27.0	
	BT50-BST-300		385	430	300	29.9	
	BT50-BST-350		435	480	350	33.3	
	BT50-BST-400		485	530	400	34.8	
RBH600LA	BT50-FMA47.625-75	600-900	185	230	75	128	30.0
RBH900LA		900-1200	38.7				
RBH1200LA		1200-1600	53.6				
RBH1600LA		1600-2000	215	260			59.0

※另有BT50-LBK7-300L~500L刀桿系統可選配，剛性更好。 ※BT50-LBK7-300L ~ 500L Shank System are for optional, with more rigidity.