



TBB Cutting Tool

M9 Series

銑削系列
MILLING TOOLS SERIES

JDMT070204

8mm開始的小直徑刀桿規格齊全
刀片採用大傾斜角設計加工輕快
方肩加工表面優秀、開槽時排屑順暢



團隊切削 行家優選

TEAMCUTTING EXPERT PREFERRED

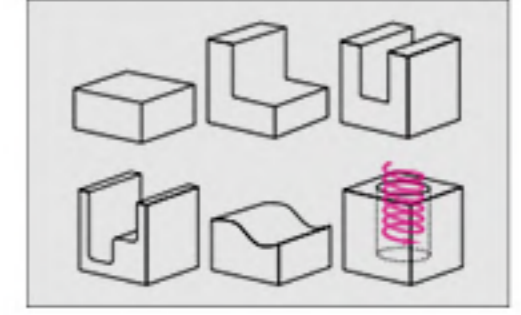
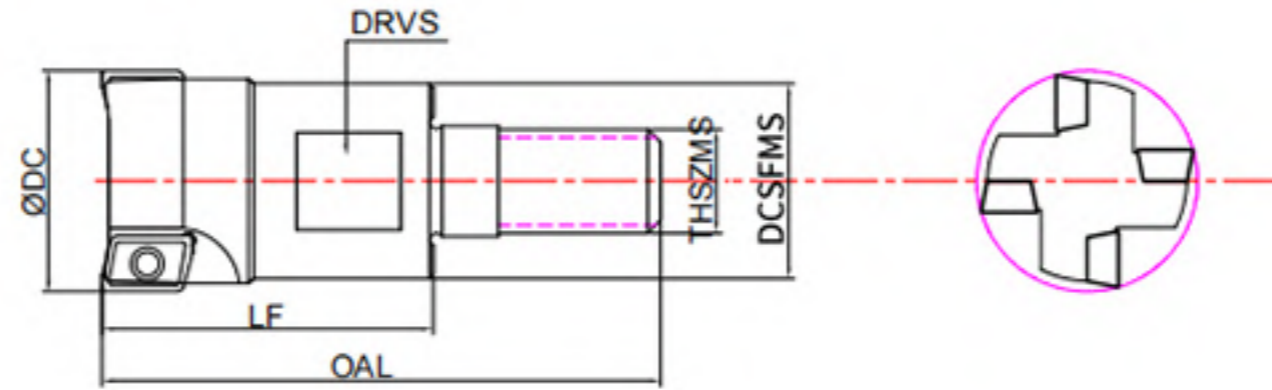
TM90JD07

2刃單面刀片清角鎖牙銑刀頭

Modular heads

JDMT07系列

JDMT07 Series



Designation 型號	CICT 齒數	Dimension (mm)/尺寸							THSZMS 螺紋規格	Angel 角度	INSERT 刀片
		APMX	DCX	DC	DCSFMS	OAL	LF	DRVS			
TM90JD07-108-M04	1	5	8	8	7.8	28	17	7	M4xP0.7	90°	JDMT07...
TM90JD07-109-M04	1	5	9	9	7.8	28	17	7	M4xP0.7	90°	JDMT07...
TM90JD07-210-M05	2	5	10	10	9	29	17	7	M5xP0.8	90°	JDMT07...
TM90JD07-211-M05	2	5	11	11	9	29	17	7	M5xP0.8	90°	JDMT07...
TM90JD07-312-M06	3	5	12	12	11	32	17	9	M6xP1.0	90°	JDMT07...
TM90JD07-313-M06	3	5	13	13	11	32	17	9	M6xP1.0	90°	JDMT07...
TM90JD07-314-M06	3	5	14	14	13	32	17	10	M6xP1.0	90°	JDMT07...
TM90JD07-416-M08	4	5	16	16	15	43	25	12	M8xP1.25	90°	JDMT07...
TM90JD07-417-M08	4	5	17	17	15	43	25	12	M8xP1.25	90°	JDMT07...

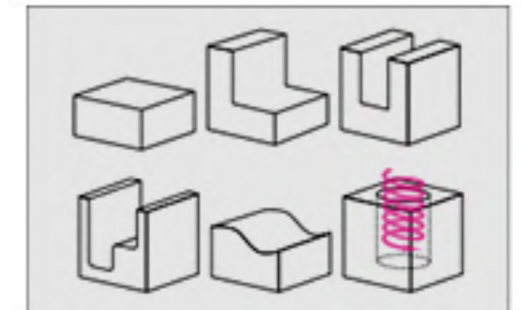
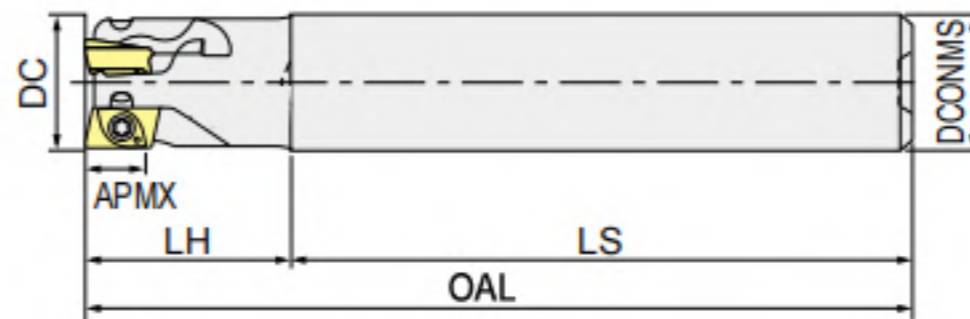
TE90JD07

2刃單面刀片清角銑刀桿

End Mill Cutter

JDMT07系列

JDMT07 Series



Designation 型號	CICT 齒數	Dimension (mm)/尺寸							Angel 角度	INSERT 刀片
		APMX	DCX	DC	DCONMS	OAL	LH	LS		
TE90JD07-108-10-100	1	5	8	8	10	100	17	83	90°	JDMT07...
TE90JD07-109-10-100	1	5	9	9	10	100	19	81	90°	JDMT07...
TE90JD07-210-10-100	2	5	10	10	10	100	22	78	90°	JDMT07...
TE90JD07-210-10-120	2	5	10	10	10	120	22	98	90°	JDMT07...
TE90JD07-211-10-100	2	5	11	11	10	100	11	89	90°	JDMT07...
TE90JD07-211-10-120	2	5	11	11	10	120	11	109	90°	JDMT07...
TE90JD07-312-12-80	3	5	12	12	12	80	26	54	90°	JDMT07...
TE90JD07-312-12-100	3	5	12	12	12	100	26	74	90°	JDMT07...
TE90JD07-312-12-120	3	5	12	12	12	120	26	94	90°	JDMT07...
TE90JD07-313-12-120	3	5	13	13	12	120	13	107	90°	JDMT07...
TE90JD07-314-14-100	3	5	14	14	14	100	30	70	90°	JDMT07...
TE90JD07-314-14-120	3	5	14	14	14	120	30	90	90°	JDMT07...
TE90JD07-314-14-160	3	5	14	14	14	160	30	130	90°	JDMT07...
TE90JD07-315-14-120	3	5	15	15	14	120	15	105	90°	JDMT07...
TE90JD07-315-14-160	3	5	15	15	14	160	15	145	90°	JDMT07...
TE90JD07-416-16-100	4	5	16	16	16	100	35	65	90°	JDMT07...
TE90JD07-416-16-120	4	5	16	16	16	120	35	85	90°	JDMT07...
TE90JD07-416-16-160	4	5	16	16	16	160	35	125	90°	JDMT07...
TE90JD07-417-16-120	4	5	17	17	16	120	17	103	90°	JDMT07...
TE90JD07-417-16-160	4	5	17	17	16	160	17	143	90°	JDMT07...

刀片相關資訊請參照第M9-02頁

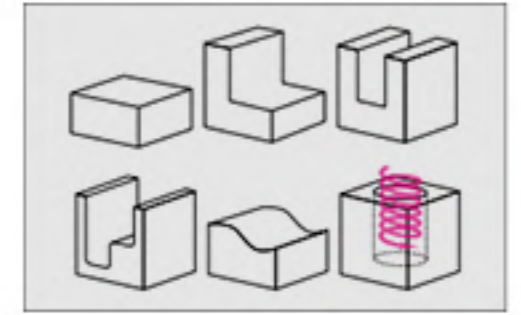
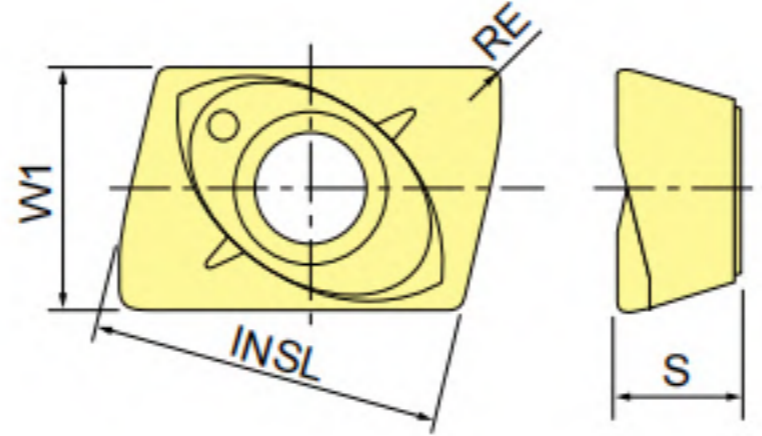
JDMT070204

2刃單面清角銑刀片

Shoulder Mill Inserts

JDMT07系列

JDMT07 Series



Designation 型號	Dimension (mm)/尺寸							Grade/材質	
	INSL/邊長	S/厚度	RE/圓角	APMX/最大切深	W1/寬度	Screw/螺絲	Wrench/扳手	TC3320	TC5520
JDMT070204R	6.4	2.45	0.4	5	4.3	TSA-18040-1	TWA-T6	○	○

○ 開發中