



TBB Cutting Tool

MF1 Series

多功能刀具
MULTI-FUNCTION TOOL

TCAP2.25D/TCAP3.25D



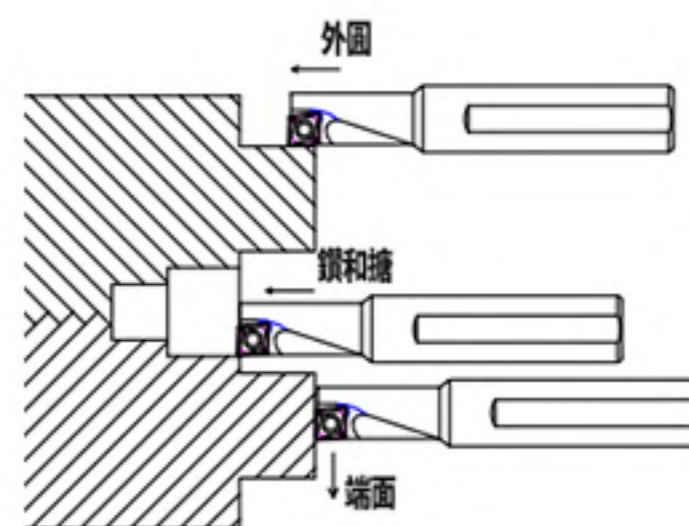
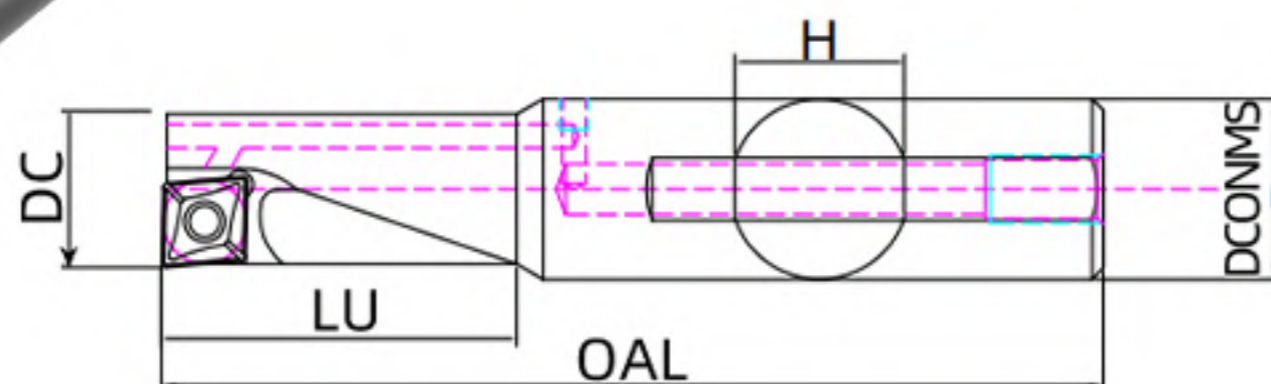
團隊切削 行家優選

TEAMCUTTING EXPERT PREFERRED

TCAP...-2.25D/3.25D

多功能鑽頭
Multi-function Drill

TCAP系列
TCAP Series

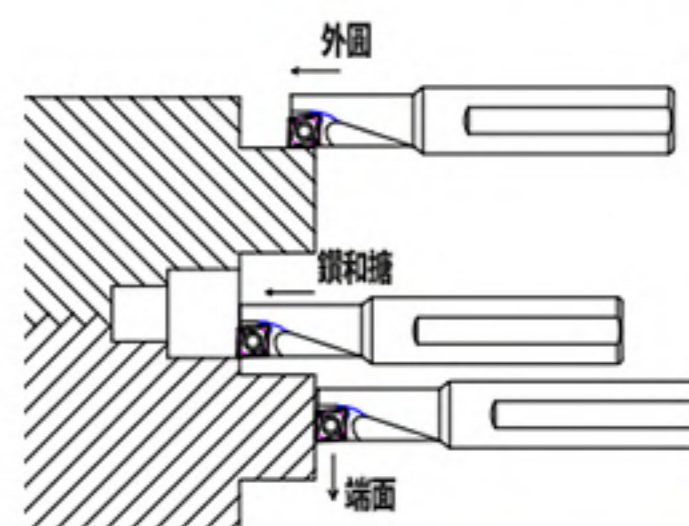
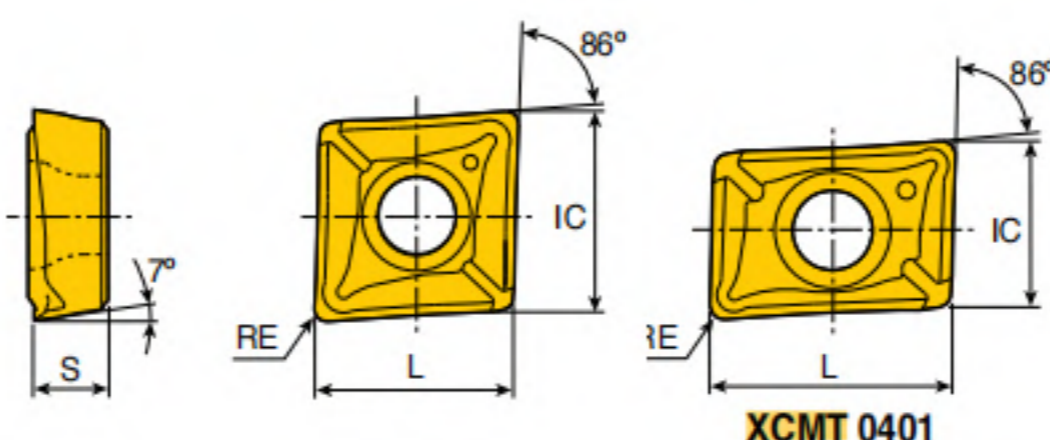


Designation 型號	Dimension (mm)/尺寸					INSERT 刀片
	DC	LU	OAL	H	DCONMS	
TCAP 08R/L-2.25D-ST	8	18.0	60.0	9	10	XCMT040104-TC
TCAP 10R/L-2.25D-ST	10	22.5	69.5	11	12	XCMT050204-TC
TCAP 12R/L-2.25D-ST	12	27.0	78.0	15	16	XCMT060204-TC
TCAP 14R/L-2.25D-ST	14	31.5	83.5	15	16	XCMT070304-TC
TCAP 16R/L-2.25D-ST	16	36.0	94.0	15	16	XCMT080304-TC
TCAP 20R/L-2.25D-ST	20	45.0	111.0	18	20	XCMT10T304-TC
TCAP 08R/L-3.25D-ST	8	26.0	68.0	9	10	XCMT040104-TC
TCAP 10R/L-3.25D-ST	10	32.5	79.5	11	12	XCMT050204-TC
TCAP 12R/L-3.25D-ST	12	39.0	90.0	15	16	XCMT060204-TC
TCAP 14R/L-3.25D-ST	14	45.5	97.5	15	16	XCMT070304-TC
TCAP 16R/L-3.25D-ST	16	52.0	110.0	15	16	XCMT080304-TC
TCAP 20R/L-3.25D-ST	20	65.0	131.0	18	20	XCMT10T304-TC

XCMT 04-10

多功能鑽頭刀片
Multi-function Drill Inserts

XCMT系列
XCMT Series



Designation 型號	Dimension (mm)/尺寸						Grade/材質	
	IC/寬度	S/厚度	L/邊長	RE/刀尖圓角	Screw/螺絲	Wrench/扳手	TC3320	TC5520
XCMT040104-TC	4.4	1.70	6.4	0.4	TSA-18040-1	TWA-T6	○	○
XCMT050204-TC	5.6	2.10	5.6	0.4	TSA-20040-1	TWA-T6	○	○
XCMT060204-TC	6.4	2.38	6.4	0.4	TSA-22040-1	TWA-T6	○	○
XCMT070304-TC	7.5	3.18	7.5	0.4	TSA-25060-1	TWA-T8	○	○
XCMT080304-TC	8.4	3.18	8.4	0.4	TSA-30064-1	TWA-T10	○	○
XCMT10T304-TC	10.5	3.97	10.5	0.4	TSA-35010-1	TWA-T15	○	○

○ 開發中

鑽頭相關資訊請參照第MF1-01頁
刀片相關資訊請參照第MF1-01頁